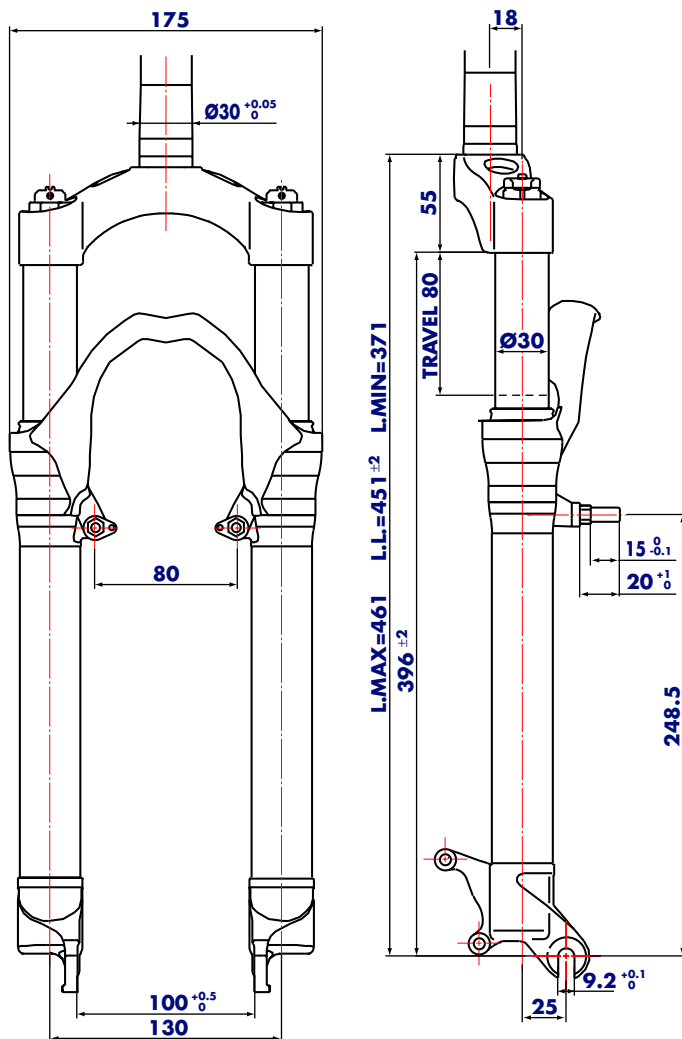


Z2 ATOM Race



GENERAL

- Special cross-country fork whose legs are damped by a differentiated system.
- Both legs use a mechanical coil spring system for compression damping
- The right leg is also damped by a hydraulic cartridge.
- Spring pre-load adjustment (in both legs) and rebound damping (right leg only) controlled via external top leg adjuster.
- Stanchions fitted into lower Crown by cryofit technique. Full length bushings guarantee superior rigidity.
- Sliders and arch are an integral assembly for reduced weight and improved rigidity.
- Parts subjected to friction are cooled and lubricated by a specially formulated oil.

Steer tube: EASTON aluminum steer tubes available for 1 1/8" diameter, threadless.

Crown: Forged and CNC-machined BAM* aluminum alloy.

Arch: Cast magnesium alloy.

Stanchions: anodized EASTON aluminum with variable butting.

Sliders: Forged and CNC-machined BAM* aluminum alloy. Left slider equipped with disc brake adapter.

Springs: Constant pitch springs.

Slider bushing: Full length guide bushing composed of a copper base and impregnated with an anti-friction coating.

Seals: Computer designed oil seals guarantee the highest quality seals available.

Oil: Specially formulated oil which eliminates foaming and viscosity breakdown while providing complete stiction-free performance.

Fork leg oil: type EBH 16 - SAE 7.5.

- right leg 90 cc,
- left leg 100 cc.

* **BAM: Bomber Aerospace Material.**

Special alloy developed from aerospace material.

INSTRUCTIONS

GENERAL RULES

1. Where specified, assemble and disassemble the shock absorption system using the **MARZOCCHI** special tools only, as shown in the table below.
2. On reassembling the suspension system, always use new seals.
3. Clean all metal parts with a special, preferably biodegradable solvent, such as trichloroethane or trichloroethylene.
4. Before reassembling, lubricate all parts in contact with each other using silicone fat spray.
5. Always grease the conic seal rings before reassembling.
6. Use wrenches with metric size only. Wrenches with inch size might damage the fastening devices even when their size is similar to that of the wrenches in metric size.

Z2
ATOM
Race

FAILURES, CAUSES AND REMEDIES

This paragraph reports some failures that may occur when using the fork. It also indicates possible causes and suggests a remedy. Always refer to this table before doing any repair work.

FAILURES

Oil leaking through the top of slider

Oil leaking through the bottom of slider

Fork has not been used for some time and is locked out

Fork rebounds too fast even though the adjuster is set to hardest damping position (right leg)

Excessive play of stanchions in the sliders

Adjuster position does not affect fork operation

CAUSES

- 1. Oil seal is worn out*
- 2. Stanchion tube is scored*
- 3. Excessive dirt on oil seal*

O-ring on the cartridge seal nut and/or pumping rod damaged

Oil seals and dust seals tend to stick to stanchion tube

Cartridge is faulty

Pilot bushings are worn

Dirt inside legs

REMEDIES

- 1. Replace oil seal*
- 2. Replace crown/stanchions assembly, oil seals and dust seals*
- 3. Clean the oil seal seat and replace oil seal*

Replace the O-ring

Raise dust seal and lubricate stanchion tube, dust seal and oil seal with silicone grease

Replace hydraulic cartridge

Replace pilot bushings

Clean carefully and change oil

Z2 ATOM Race

RECOMMENDATIONS FOR MAINTENANCE

MARZOCCHI forks are based on advanced technology, supported by year-long experience in the field of professional mountain biking. In order to achieve best results, we recommend to check and clean the area below the dust seal and the stanchion tube after each use and lubricate with silicone oil.


In general, **MARZOCCHI** forks can offer top performance from the start. However, in some cases a short running-in period is required (5-10 hours) for inner adjustments. This running-in period will make fork life longer and ensure fork top performance over time.

IMPORTANT: change oil at least every 100 working hours.


Polished forks should be cleaned with bodywork **polish** at regular intervals in order to preserve their original finish.

INSTALLATION

Installing the fork on a bicycle is a very delicate operation that should be carried out with extreme care. The installation should always be checked by one of our Technical Service Centers.

 **WARNING:** Steer tube/headset mounting and adjustment must be carried out in compliance with the headset manufacturer's instructions. Improper installation may jeopardize the safety of the rider.

To replace it, contact one of our Technical Service Centers with the required tools.

 **WARNING:** In case of improper installation of the steer tube into the crown, the rider might lose control of his/her bicycle, thus jeopardizing his/her safety.

DISC BRAKE SYSTEM ASSEMBLY

 **WARNING:** If a disc brake system is installed, it is absolutely forbidden to loosen and remove original brake supports fixing pins. In fact, apart from retaining Cantilever or V-brake levers, they also play an important role in securing slider bottom to slider-arch monolith. If needed, replace these pins with screws (part no. **532979QF**) available as spare parts.

Tighten the above screws to 15 Nm.

IMPORTANT: screw and pin threading is treated to ensure hydraulic seal. Never reuse screws and pins which have been removed.

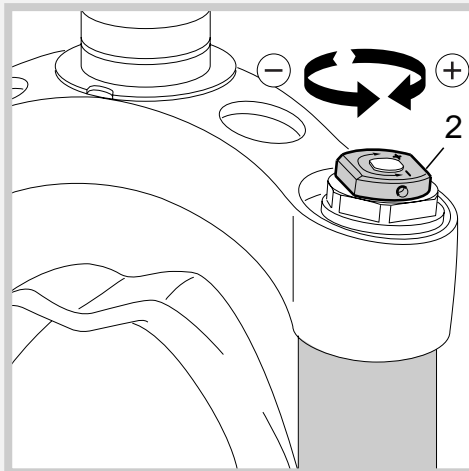
Assembling the brake caliper onto the slider is a very delicate operation that should be carried out with extreme care. Improper assembly might overstress the caliper supports which might break. When installing the disc brake system, be sure to properly follow the instructions given by the manufacturer.

Z2 ATOM Race

ADJUSTMENTS

SPRING PRELOAD

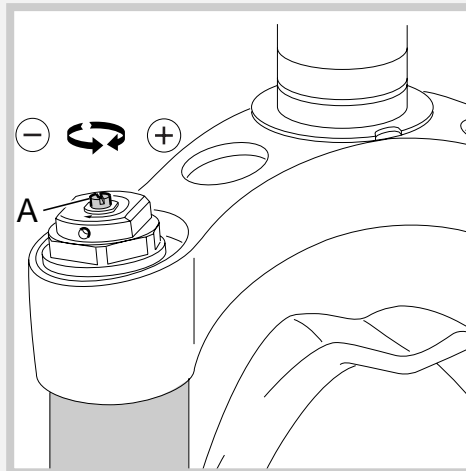
The spring preload determines COMPRESSION damping and can be adjusted by turning the knob **(2)** on top of the fork legs. From the factory the fork is set at minimum preload, i.e. the adjustment knob completely unscrewed counterclockwise. However, the springs are slightly preloaded to help counteract static loads. By turning the adjustment knob clockwise, the preload is increased up to the maximum value equal to 15 mm's of spring preload. This adjustment is essential in order to have the right fork response for the rider's weight and riding style.



REBOUND ADJUSTMENT

The right fork leg is equipped with an adjuster screw **(A)** for REBOUND damping. Turning this adjuster clockwise into the cartridge rod, changes the hydraulic setting of the inner valves. In short, the amount of adjustment applied on the piston in the fluid determines the rate of damping.

To adjust, always start from the minimum damping setting, i.e. unscrew completely counterclockwise. About 8 turns - abt. 4 mm of the adjustment - are possible.

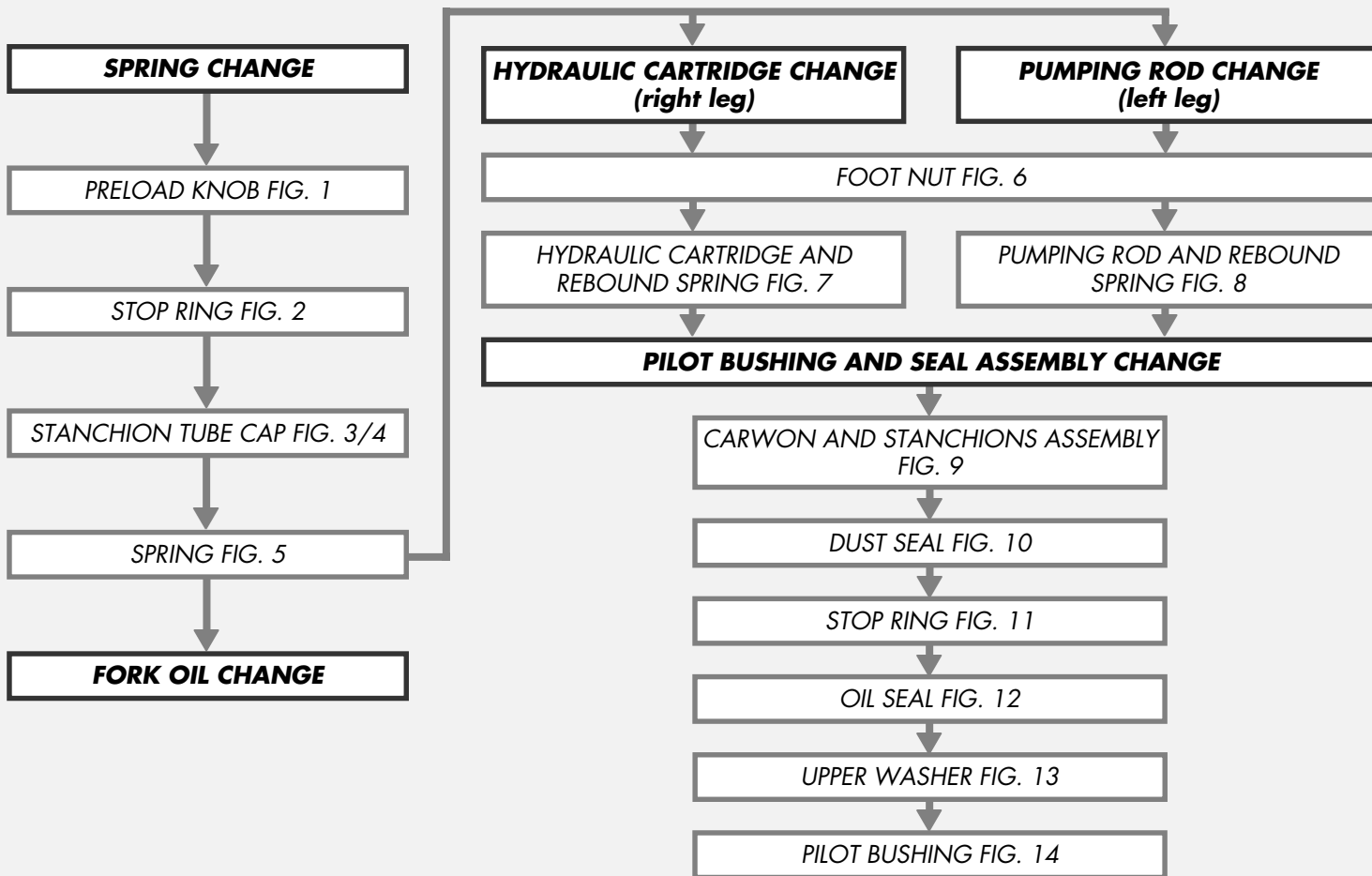


DISASSEMBLY

GENERAL

- The reference numbers given in this section relate to the components shown in the forks exploded view.
- Before starting any operation, please read the diagram below. It shows the quickest procedure and the exact sequence in which it should be disassembled. Locate the part you need to remove in the diagram, then look at the arrows to determine which other parts you will need to remove first.

DISASSEMBLY DIAGRAM



Z2

ATOM

Race

Z2 ATOM Race

SPRING CHANGE

FIG. 1

Set knob **(2)** to minimum preload.
Loosen the small grub screw **(3)** fastening the preload knob by means of a 1.5 mm Allen wrench. Remove the knob from the cap.

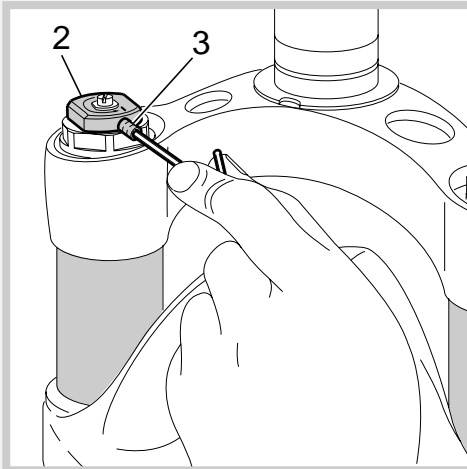


FIG. 2

Remove the stop ring **(4)** from the top of the preload knob support with a small screwdriver.

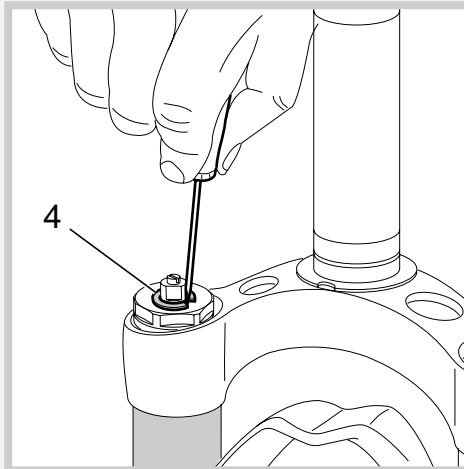
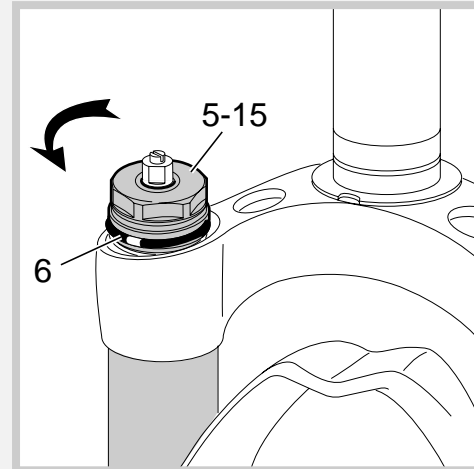


FIG. 3

Unscrew the caps **(5)** and **(15)** with a 21 mm socket wrench.
Remove the caps complete with O-ring **(6)** from the stanchions.



Z2 ATOM Race

FIG. 4 (only right leg)

Lock the check nut (12B) and remove the cap (15) from hydraulic cartridge end (12).

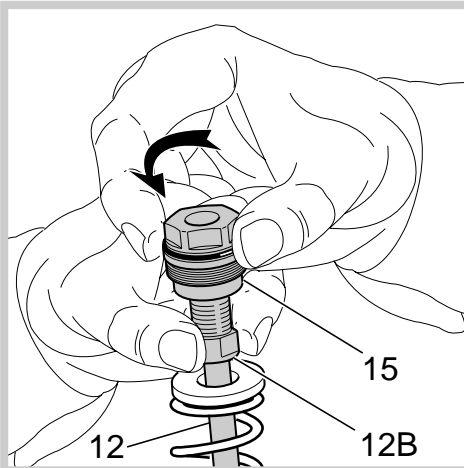
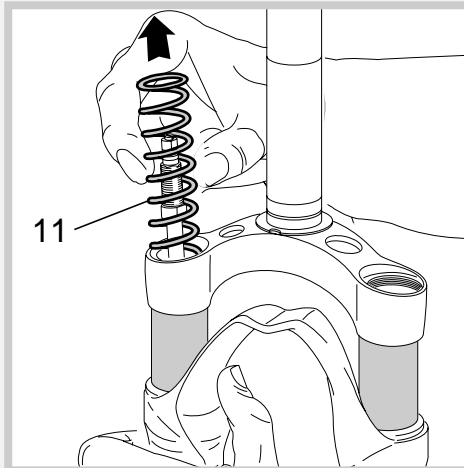


FIG. 5

Push the stanchions into the sliders and remove the springs (11).

Let all the oil drain into the fork leg. By following this procedure, there is no need to check the oil level.

Make all necessary changes.



HYDRAULIC CARTRIDGE CHANGE (right fork leg) AND PUMPING ROD CHANGE (left fork leg)

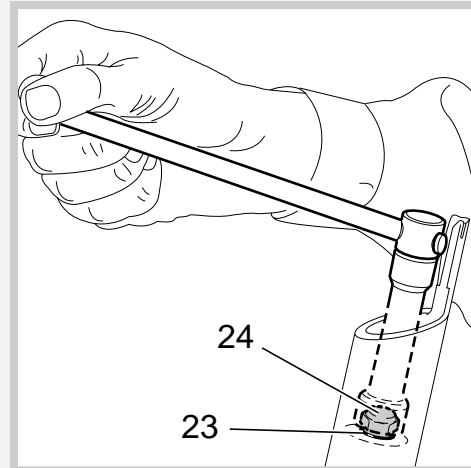
FIG. 6

Drain all oil from the fork legs.



WARNING: Remember to always recycle any used oil.

To change the fork leg oil follow the procedure as described in section "REASSEMBLY" from Fig. 23 to Fig. 28. Turn the fork leg upside-down and unscrew the foot nut (24) complete with O-ring (23) by the use of a 15 mm socket wrench.



Z2 ATOM Race

FIG. 7

Pull the hydraulic cartridge (12) complete with rebound spring (14) and washer (26, see exploded view) out of the R.H. stanchion tube.

Replace the whole hydraulic cartridge.

FIG. 8

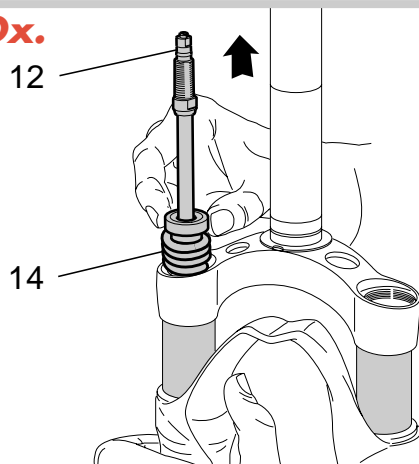
A pumping rod (13) complete with rebound spring (14) and washer (26, see exploded view) is fitted into the L.H. leg, inside the stanchion. Withdraw the above parts from the tube top by pushing them from slider bottom.

PILOT BUSHING AND SEAL ASSEMBLY CHANGE

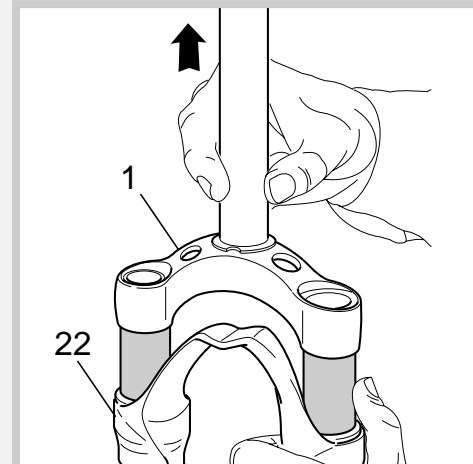
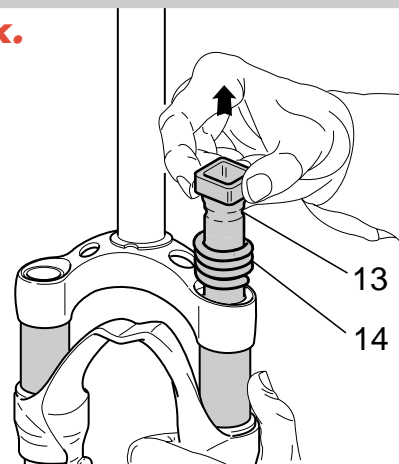
FIG. 9

Pull the crown and stanchions assembly (1) completely out of the sliders (22).

Dx.



Sx.



Z2 ATOM Race

FIG. 10

Use a small screwdriver and remove the dust seal (17) from the top of the slider.

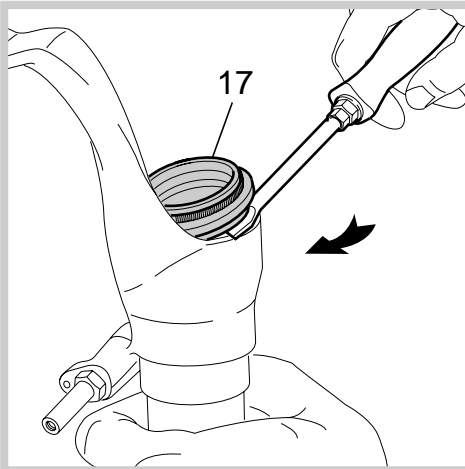


FIG. 11

Remove the stop ring (18) from the slider by placing the screwdriver bit in one of the three openings on the stop ring and carefully lifting the ring out of place.

IMPORTANT: when removing the stop ring, make sure not to damage its seat.

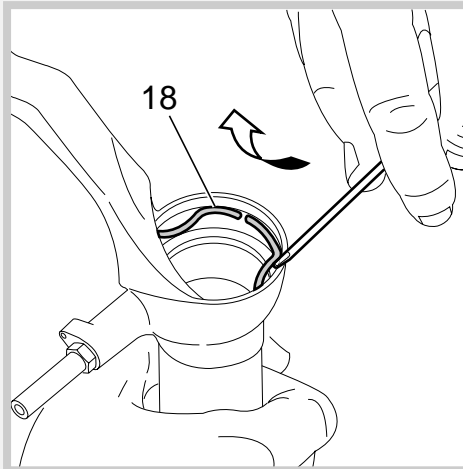
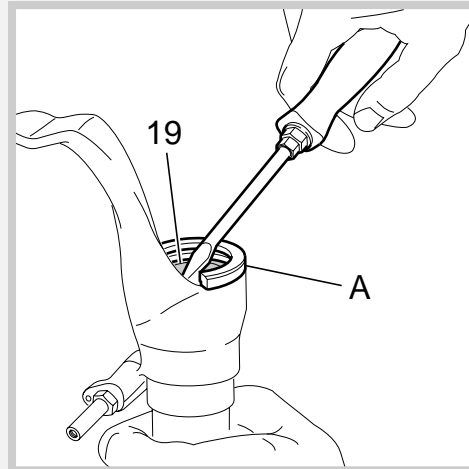


FIG. 12

Fit the slider protector (A) onto the slider and remove the oil seal (19) with the help of a large slot screwdriver.

IMPORTANT: when removing the oil seal, make sure not to damage its seat. Once removed the oil seals should not be used again.



Z2 ATOM Race

FIG. 13

Remove the upper washer (20) from the slider.

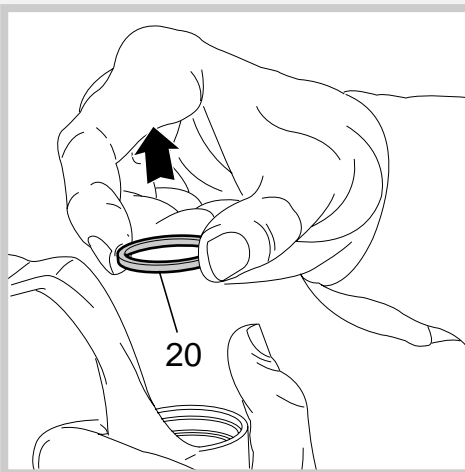
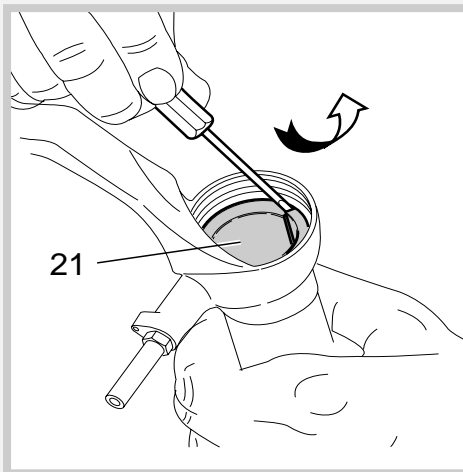


FIG. 14

Fit the bit of a small screwdriver into the upper edge slot of the pilot bushing (21) and lift gently. Pull the bushing out of the slider and make all necessary changes.



Z2 ATOM Race

REASSEMBLY

CAUTION: before reassembling, clean all metal parts carefully with inflammable and biodegradable solvent and dry them with compressed air.

PILOT BUSHING AND SEAL ASSEMBLY

FIG. 15

Check that no dirt or debris is between slider and bushing. Insert the pilot bushing (21) into place so that it adheres to the slider.

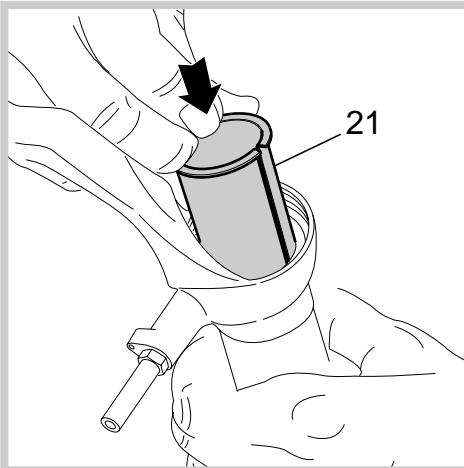


FIG. 16

Fit the upper washer (20) into the slider so that it touches the pilot bushing.

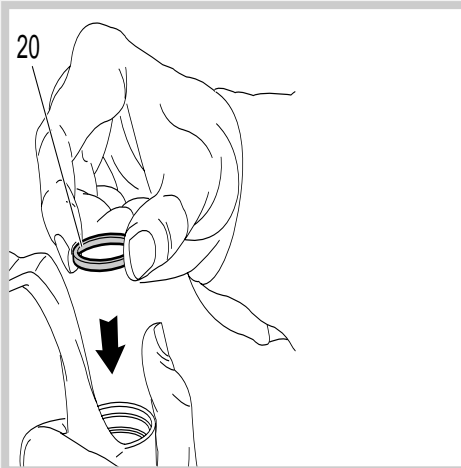
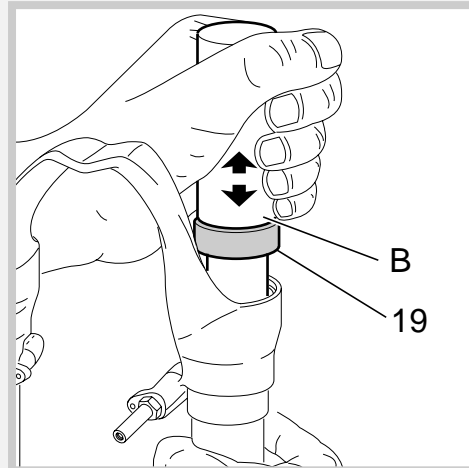


FIG. 17

Lubricate the oil seal (19) and place it onto the seal press (B) with the hollow side toward the slider.

Press the oil seal into place until it touches the lower washer by using the above seal press.



Z2 ATOM Race

FIG. 18

Insert the stop ring (18) making sure it is properly seated into place. Use buffer (B) to properly seat the ring into the slider.

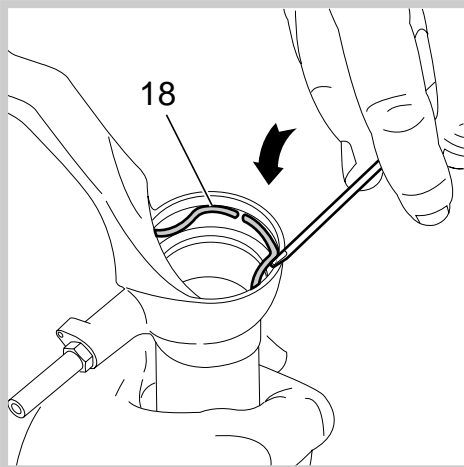
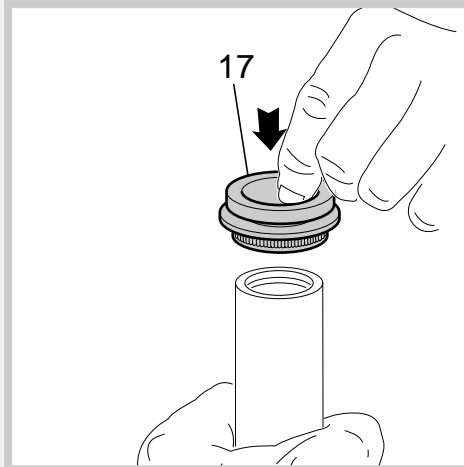


FIG. 19

Lubricate the dust seals (17) and fit them into the stanchions from the spring end.



CROWN AND STANCHIONS ASSEMBLY

FIG. 20

Fit the stanchions (1) and crown assembly with the dust seals in place gently into the sliders seals.

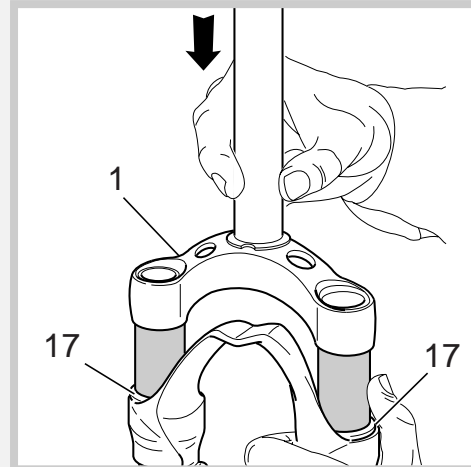
⚠ WARNING: to avoid any damages to sealing surfaces, keep the stanchions duly lubricated and squared into the sliders.

Press the crown and stanchions assembly fully down and check that threaded ends of cartridge (12) and pumping rod (13) are coming out through the bottom of the sliders. Check to see that the stanchion tube slides unrestricted by cycling the fork up and down several times.

The tube should slide freely inside the seal assembly without any side play.

In the event it is too hard or too soft, repeat the previous steps described above and check components to ensure they are not damaged.

Seat the dust seals (17) on top of the sliders.



Z2 ATOM Race

HYDRAULIC CARTRIDGE (right leg) AND PUMPING ROD (left leg)

FIG. 21

Push the stanchions up to slider bottom. Insert hydraulic cartridge (12), complete with rebound spring (14) and washer (26) in the RH stanchion tube.

Insert pumping rod (13), with rebound spring (14) and washer (26) fitted on it, in LH stanchion tube.

Push complete hydraulic cartridge (12) and pumping rod (13) into stanchion bottom.

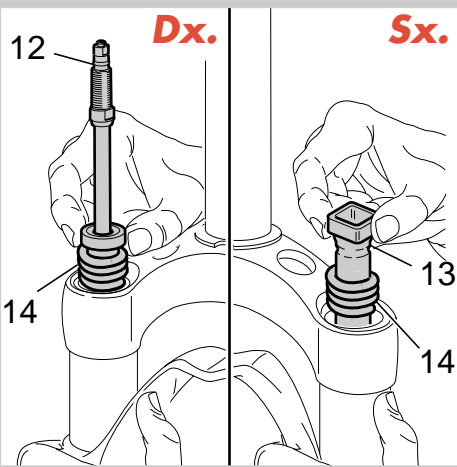
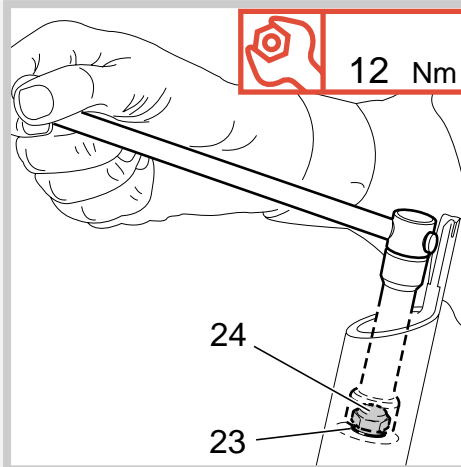


FIG. 22

Grease the O-ring (23) on the foot nut (24) and screw the nut on the threaded end of both the hydraulic cartridge and the pumping rod.

Tighten to 12 Nm.

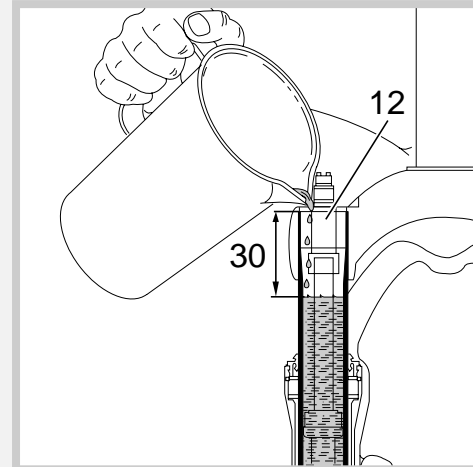
Check to verify that the stanchions slide properly through the stroke by pumping them up and down several times.



HOW TO FILL WITH OIL

FIG. 23

Pour the oil little by little when the stanchions are fully down and then pump with the cartridge (12) rod so as to have a better filling. Cartridge is full when no air is detected when pumping, in the completely closed position. Check that oil level is 30 mm from the top of the stanchion tube in both fork legs.



Z2 ATOM Race

SPRING AND CAP

FIG. 24

Fit the spring (11) into the stanchions. Move the preload adjuster (9, see exploded view), in the cap, to the minimum preload position.

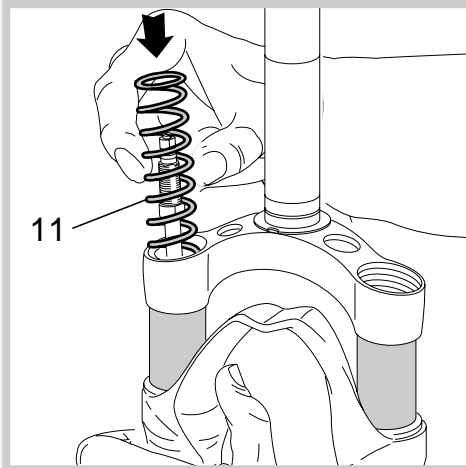


FIG. 25 (right leg only)

Lubricate the O-ring (7, see exploded view) on the top of the preload knob support (right leg only) and the O-ring (6) on the caps (5) and (15).

Screw the cap (15) complete with preload adjuster (9) and lower washer (10) onto the cartridge (12) rod. Screw cap all the way in.

Tighten check nut (12B) against cap (15).

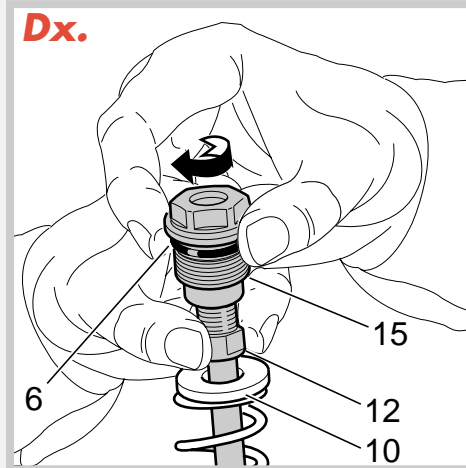
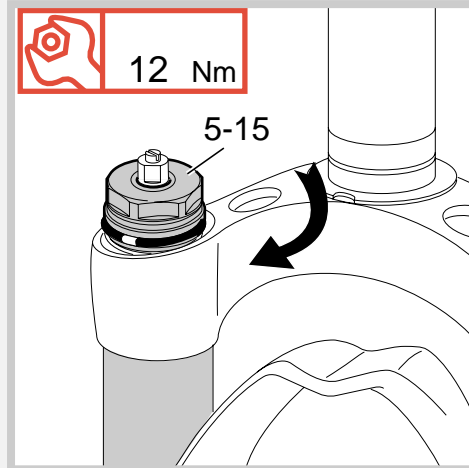


FIG. 26

Lift the stanchions and start the caps (5) and (15) onto the threads by hand.

Tighten the caps to 12 Nm.



Z2 ATOM Race

FIG. 27

Fit the stop ring (4) of the preload knob support and make sure it is properly seated into place.

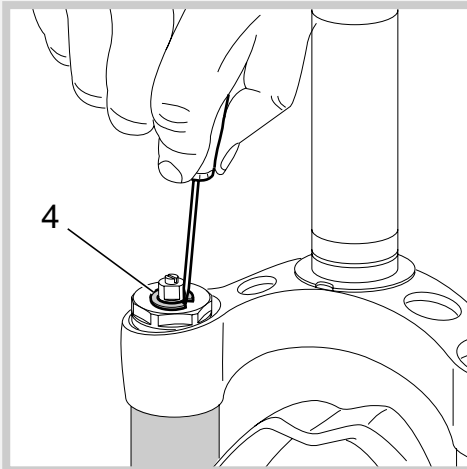
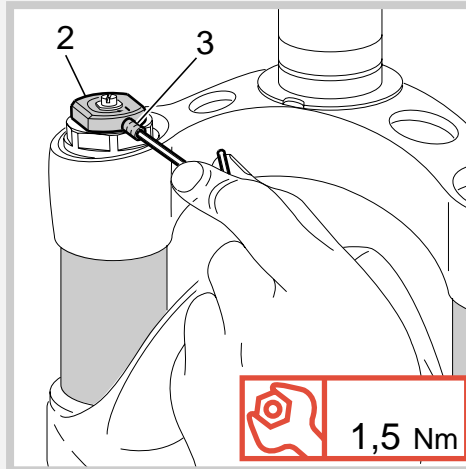


FIG. 28

Fit the preload knob (2) and secure it on the support by tightening the grub screw (3) to 1.5 Nm.



**Z2
ATOM
Race**

SPECIFIC TOOLS

Ref.	Item.	Description and use
A	R 5089 AB	Slider protector: to remove the oil seal from the slider
B	R 5090	Oil seal press: to press oil seal into the slider

