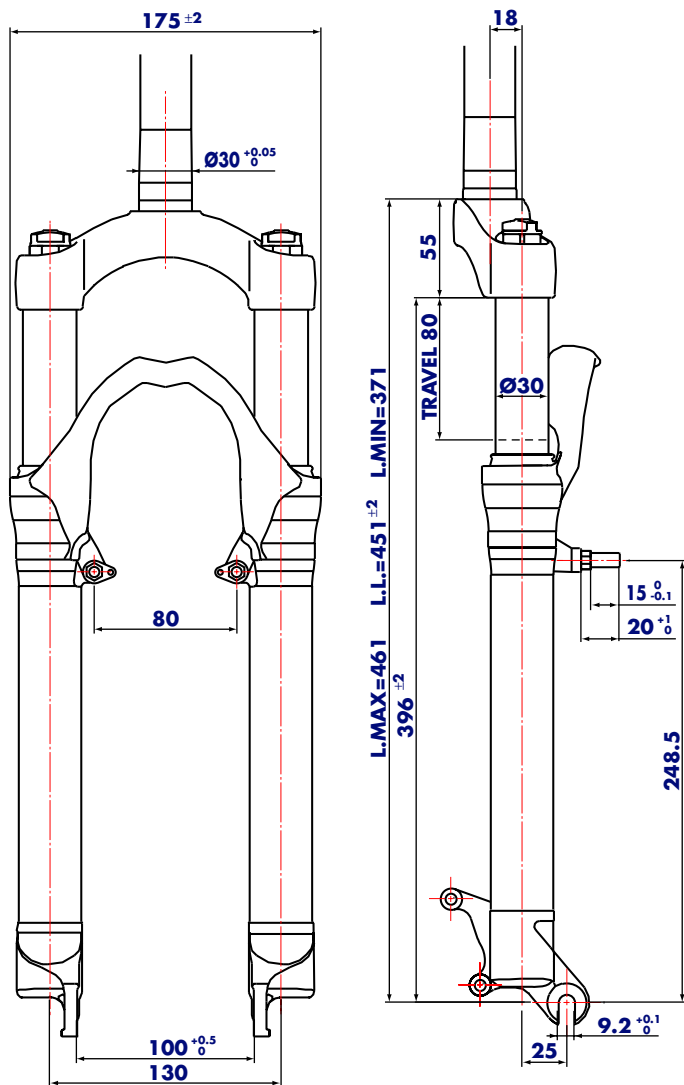


# Z5 Air (80)



## GENERAL

- Special air/oil damped cross-country fork: each leg uses pressurized air blown through a special valve on stanchion caps as damping medium.
- Rebound damping is controlled by pumping rods fixed to the bottom of each slider.
- Stanchions fitted into lower Crown by cryofit technique. Full length bushings guarantee superior rigidity.
- Sliders and arch are an integral assembly for reduced weight and improved rigidity.
- Parts subjected to friction are cooled and lubricated by a specially formulated oil.

**Steer tube:** stainless steel or, on request, EASTON aluminum steer tube available for 1 1/8" diameter, threadless.

**Crown:** Forged and CNC-machined BAM\* aluminum alloy.

**Arch:** Cast magnesium alloy.

**Stanchions:** anodized aluminum with variable section.

**Sliders:** forged and CNC-machined aluminum. Left slider comes with supports for disc brake caliper.

**Slider bushing:** Full length guide bushings composed of a copper base and impregnated with an anti-friction coating.

**Seals:** Computer designed oil seals guarantee the highest quality seals available.

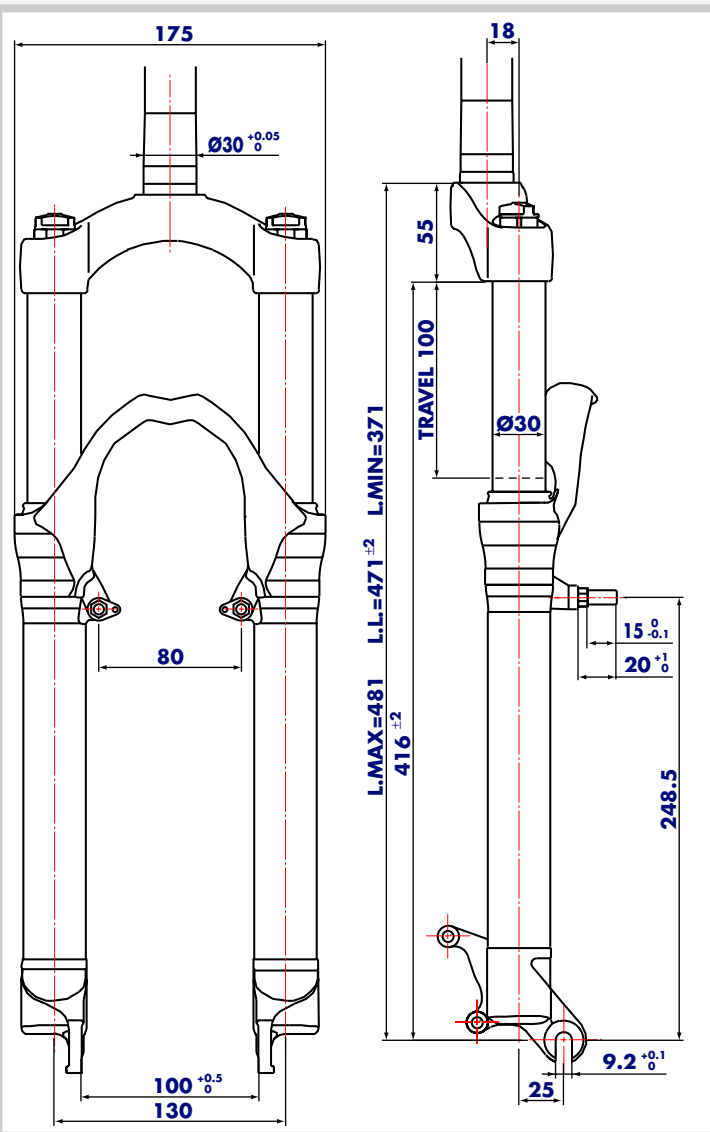
**Oil:** Specially formulated oil which eliminates foaming and viscosity breakdown while providing complete stiction-free performance.

**Fork leg oil:** 85 cc (each leg), type EBH 16 - SAE 7.5.

\* **BAM: Bomber Aerospace Material.**

Special alloy developed from aerospace material.

# Z5 Air (100)



## GENERAL

- Special air/oil damped cross-country fork: each leg uses pressurized air blown through a special valve on stanchion caps as damping medium.
- Rebound damping is controlled by pumping rods fixed to the bottom of each slider.
- Stanchions fitted into lower Crown by cryofit technique. Full length bushings guarantee superior rigidity.
- Sliders and arch are an integral assembly for reduced weight and improved rigidity.
- Parts subjected to friction are cooled and lubricated by a specially formulated oil.

**Steer tube:** stainless steel or, on request, EASTON aluminum steer tube available for 1 1/8" diameter, threadless.

**Crown:** Forged and CNC-machined BAM\* aluminum alloy.

**Arch:** Cast magnesium alloy.

**Stanchions:** anodized aluminum with variable section.

**Sliders:** forged and CNC-machined aluminum. Left slider comes with supports for disc brake caliper.

**Slider bushing:** Full length guide bushings composed of a copper base and impregnated with an anti-friction coating.

**Seals:** Computer designed oil seals guarantee the highest quality seals available.

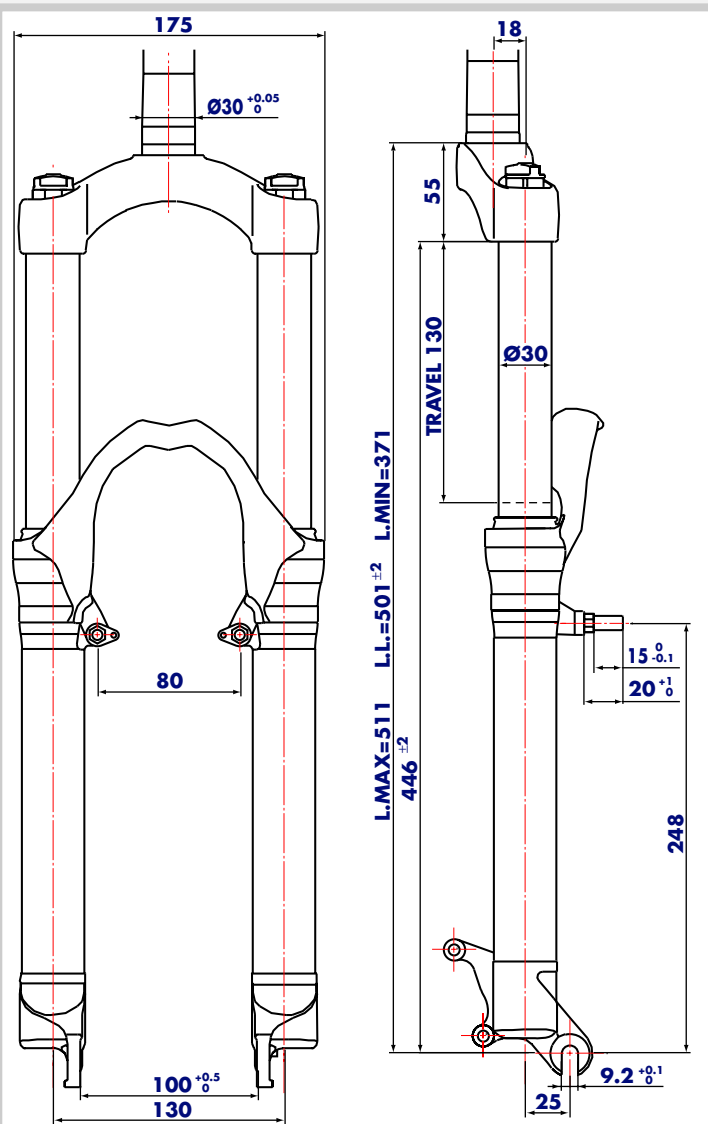
**Oil:** Specially formulated oil which eliminates foaming and viscosity breakdown while providing complete stiction-free performance.

**Fork leg oil:** 85 cc (each leg), type EBH 16 - SAE 7.5.

\* **BAM: Bomber Aerospace Material.**

Special alloy developed from aerospace material.

# Z5 Air (130)



## GENERAL

- Special air/oil damped cross-country fork: each leg uses pressurized air blown through a special valve on stanchion caps as damping medium.
- Rebound damping is controlled by pumping rods fixed to the bottom of each slider.
- Stanchions fitted into lower Crown by cryofit technique. Full length bushings guarantee superior rigidity.
- Sliders and arch are an integral assembly for reduced weight and improved rigidity.
- Parts subjected to friction are cooled and lubricated by a specially formulated oil.

**Steer tube:** stainless steel or, on request, EASTON aluminum steer tube available for 1 1/8" diameter, threadless.

**Crown:** Forged and CNC-machined BAM\* aluminum alloy.

**Arch:** Cast magnesium alloy.

**Stanchions:** anodized aluminum with variable section.

**Sliders:** forged and CNC-machined aluminum. Left slider comes with supports for disc brake caliper.

**Slider bushing:** Full length guide bushings composed of a copper base and impregnated with an anti-friction coating.

**Seals:** Computer designed oil seals guarantee the highest quality seals available.

**Oil:** Specially formulated oil which eliminates foaming and viscosity breakdown while providing complete stiction-free performance.

**Fork leg oil:** 90 cc (each leg), type EBH 16 - SAE 7.5.

\* **BAM: Bomber Aerospace Material.**

Special alloy developed from aerospace material.

## INSTRUCTIONS

### GENERAL RULES

1. Where specified, assemble and disassemble the shock absorption system using the **MARZOCCHI** special tools only.
2. On reassembling the suspension system, always use new seals.
3. Clean all metal parts with a special, preferably biodegradable solvent, such as trichloroethane or trichloroethylene.
4. Before reassembling, lubricate all parts in contact with each other using silicone fat spray or a specific oil for seals.
5. Always grease the lip seal rings before reassembling.
6. Use wrenches with metric size only. Wrenches with inch size might damage the fastening devices even when their size is similar to that of the wrenches in metric size.

**Z5 Air**

## **FAILURES, CAUSES AND REMEDIES**

*This paragraph reports some failures that may occur when using the fork. It also indicates possible causes and suggests a remedy. Always refer to this table before doing any repair work.*

### **FAILURES**

### **CAUSES**

### **REMEDIES**

*Oil leaking through the top of the slider*

- 1. Oil seal is worn out*
- 2. Stanchion tube is scored*
- 3. Excessive dirt on slider oil seal*

- 1. Replace oil seal*
- 2. Replace crown/stanchions assembly, oil seals and dust seals*
- 3. Clean the oil seal seat and replace oil seal*

*Oil leaking through the bottom of slider*

*O-ring on pumping rod nut damaged*

*Replace the O-ring*

*Fork has not been used for some time and is locked out*

*Oil seals and dust seals tend to stick to stanchions*

*Raise dust seal and lubricate stanchion tube, dust seal and oil seal*

*Pressure drop*

*Cap valve damaged*

*Replace cap and/or valve*

*The fork reaches its end of stroke easily*

*Valve at the bottom of the stanchion damaged*

*Change*

*Excessive play of stanchions in the sliders*

*Pilot bushings worn out*

*Replace bushings*

*Fork rebounds too fast in any adjuster position*

*Dirt inside fork legs*

*Clean carefully and change oil*

## RECOMMENDATIONS FOR MAINTENANCE

**MARZOCCHI** forks are based on advanced technology, supported by year-long experience in the field of professional mountain biking. In order to achieve best results, we recommend to check and clean the area below the dust seal and the stanchion tube after each use and lubricate with silicone oil.


In general, **MARZOCCHI** forks can offer top performance from the start. However, in some cases a short running-in period is required (5-10 hours) for inner adjustments. This running-in period will make fork life longer and ensure fork top performance over time.

**IMPORTANT:** change oil at least every 100 working hours and check pressure at least every 10 working hours.


**Polished** forks should be cleaned with bodywork **polish** at regular intervals in order to preserve their original finish.

## INSTALLATION


Installing the fork on a bicycle is a very delicate operation that should be carried out with extreme care. The installation should always be checked by one of our Technical Service Centers.

 **WARNING:** Steer tube/headset mounting and adjustment must be carried out in compliance with the headset manufacturer's instructions. Improper installation may jeopardize the safety of the rider.

To replace it, contact one of our Technical Service Centers with the required tools.

 **WARNING:** In case of improper installation of the steer tube into the crown, the rider might lose control of his/her bicycle, thus jeopardizing his/her safety.

## DISC BRAKE SYSTEM ASSEMBLY

 **WARNING:** If a disc brake system is installed, it is absolutely forbidden to loosen and remove original brake supports fixing pins. In fact, apart from retaining Cantilever or V-brake levers, they also play an important role in securing slider bottom to slider-arch monolith. If needed, replace these pins with screws (part no. **532979QF**) available as spare parts.

Tighten the above screws to 15 Nm.

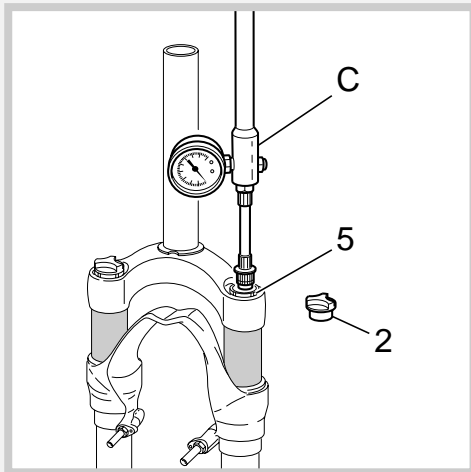
**IMPORTANT:** screw and pin threading is treated to ensure hydraulic seal. Never reuse screws and pins which have been removed.

Assembling the brake caliper onto the slider is a very delicate operation that should be carried out with extreme care. Improper assembly might overstress the caliper supports which might break. When installing the disc brake system, be sure to properly follow the instructions given by the manufacturer.

## ADJUSTMENTS

### FORK LEG PRESSURIZATION

Blow pressurized air through the valves **(5)** on the stanchion caps to set COMPRESSION damping. To change the pressure value, remove the protection cap **(2)** and depressurize each leg. Fully tighten the pump connection **(C)** on cap valve **(5)** or pressurize until the required value is reached. Unscrew the connection and refit the cap **(2)**. This adjustment is essential in order to have the right fork response for the rider's weight and riding style. The fork is pre-loaded at the factory to a standard value of 3 bar.

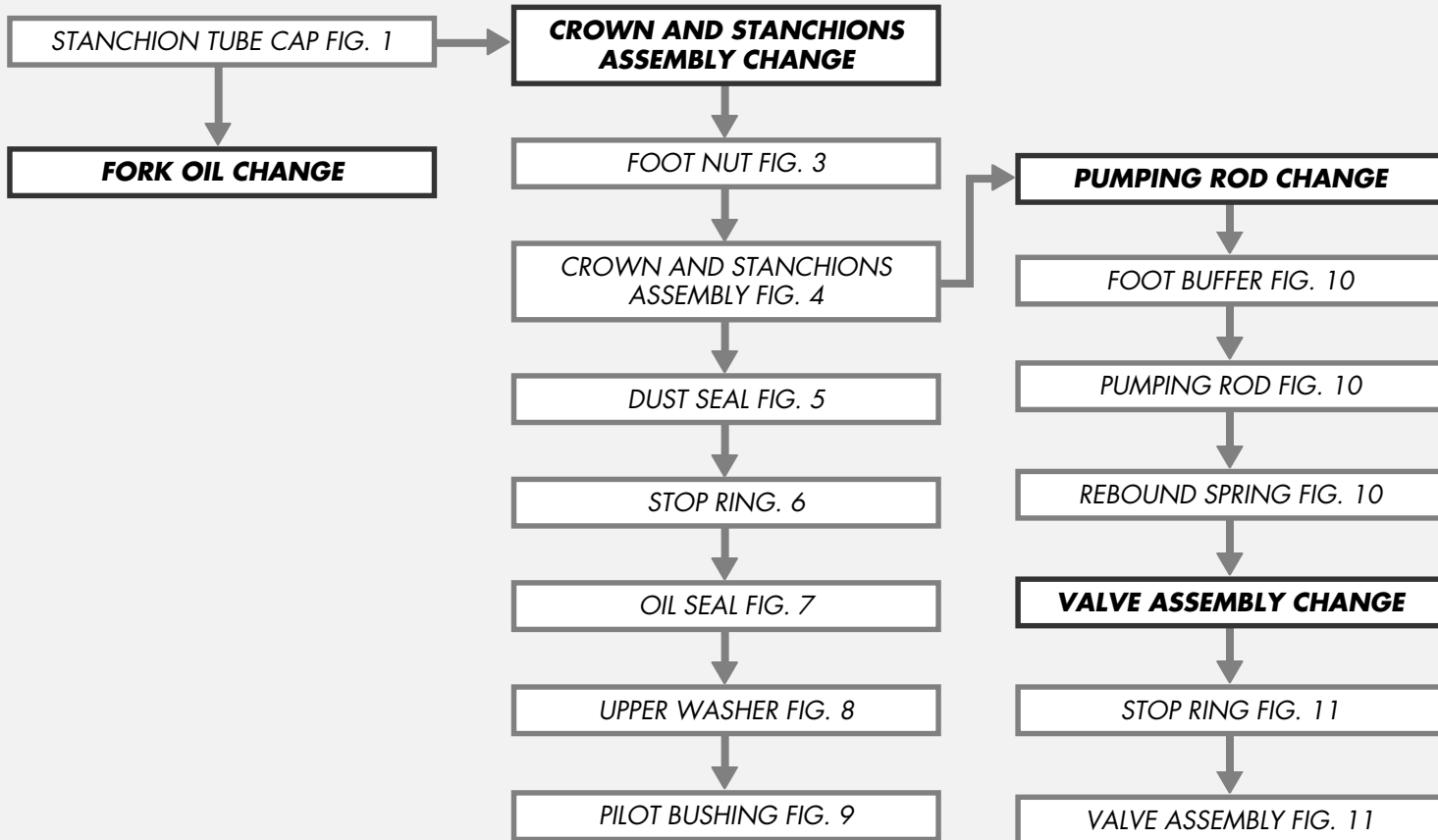


## DISASSEMBLY

### GENERAL

- The reference numbers given in this section relate to the components shown in the fork exploded view.
- Before starting any operation, please read the diagram below. It shows the quickest procedure and the exact disassembling sequence. Locate the part you need to remove in the diagram, then look at the arrows to determine which other parts you need to remove first.

### DISASSEMBLY DIAGRAM



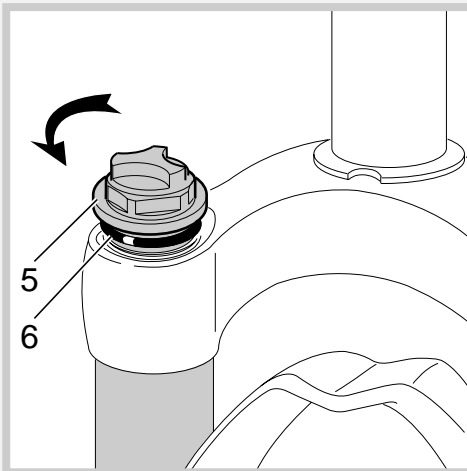


## FIG. 1

Depressurize each fork leg (see section ADJUSTMENT).

Unscrew the caps (5) with a 21 mm socket wrench.

Remove the caps complete with O-ring (6) from the stanchions.



## FIG. 2

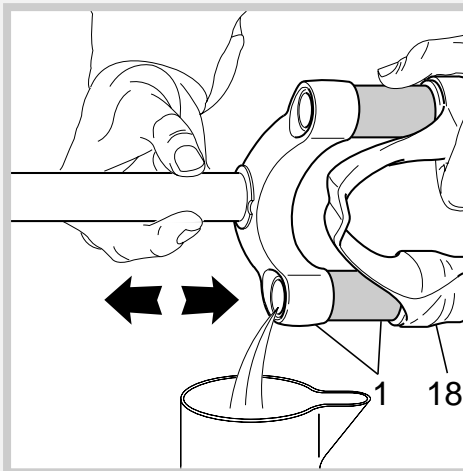
Push the stanchions (1) into the sliders (18) and let all the oil drain out from the fork legs.

Pump the stanchions several times to help oil drain off.



**WARNING:** Remember to always recycle any used oil.

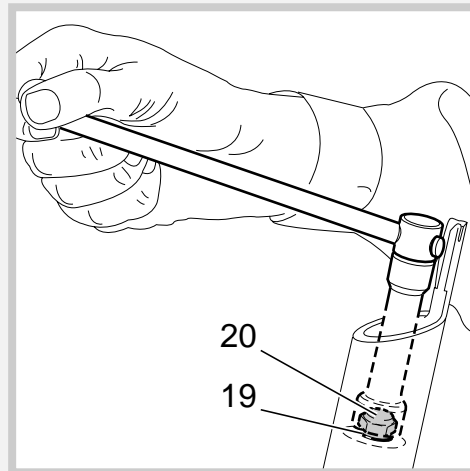
To change the fork leg oil follow the procedure as described in section "REASSEMBLY" from Fig. 22 to Fig. 24.



## PILOT BUSHING AND SEAL ASSEMBLY CHANGE

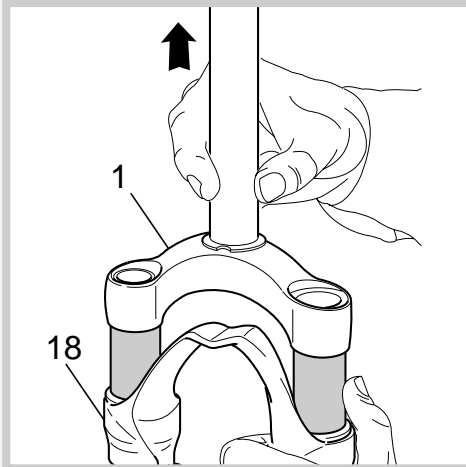
### FIG. 3

Turn the fork leg upside-down and unscrew the foot nuts (20), with their O-Ring (19) by the use of a 15 mm socket wrench.



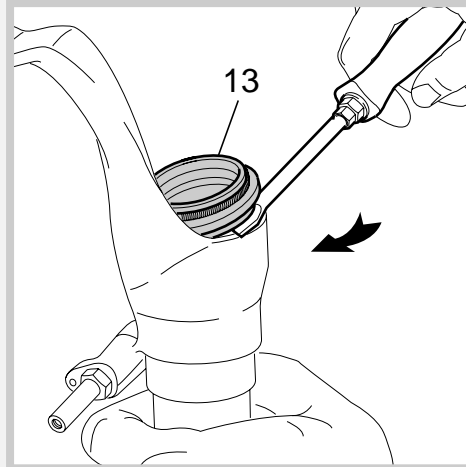
**FIG. 4**

Withdraw the crown and stanchions assembly (1) from the sliders (18).



**FIG. 5**

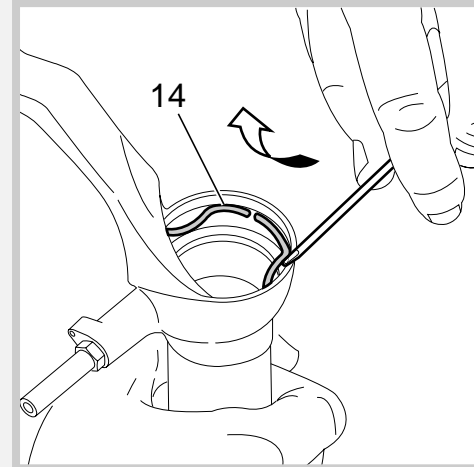
Remove the dust seal (13) from the top of the sliders using a small screwdriver.



**FIG. 6**

Remove the stop ring (14) from the sliders by placing the screwdriver bit in one of the three openings on the stop ring.

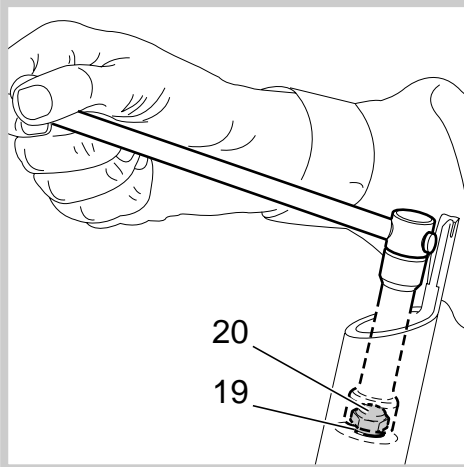
**IMPORTANT:** when removing the stop ring, make sure not to damage its seat.



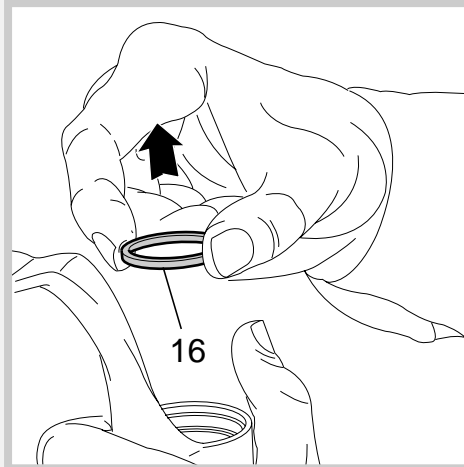
**FIG. 7**

Fit the slider protector (A) onto the slider and remove the oil seal (15) with the help of a large screwdriver.

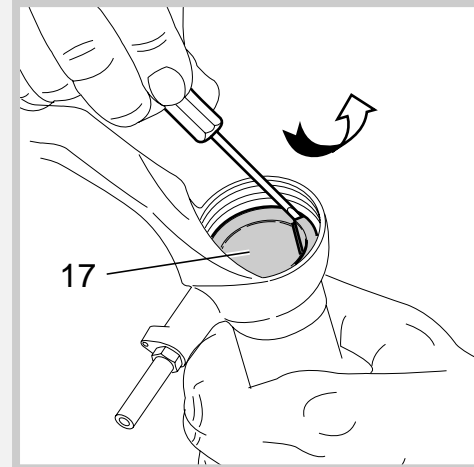
**IMPORTANT:** when removing the oil seal, make sure not to damage its seat. Once removed the oil seals should not be used again.

**FIG. 8**

Remove the upper washer (16) from the slider.

**FIG. 9**

Fit the bit of a small screwdriver into upper edge slot of the pilot bushing (17) and lift gently. Pull the bushing out of the slider and make all necessary changes.



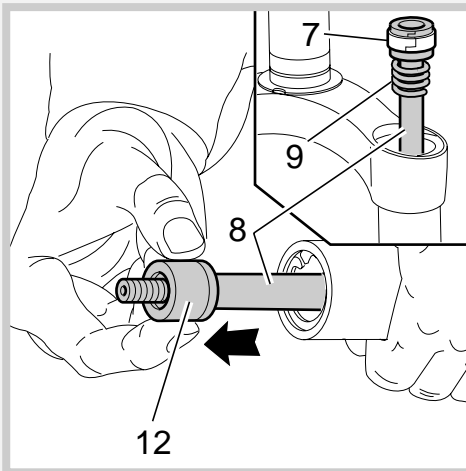
## PUMPING ROD CHANGE

### FIG. 10

Remove the foot buffer (12) from the pumping rod (8) end.

Withdraw the complete pumping rod (8) and the rebound spring (9) from the stanchion tube top.

Replace the seal ring (7) if damaged or worn out.



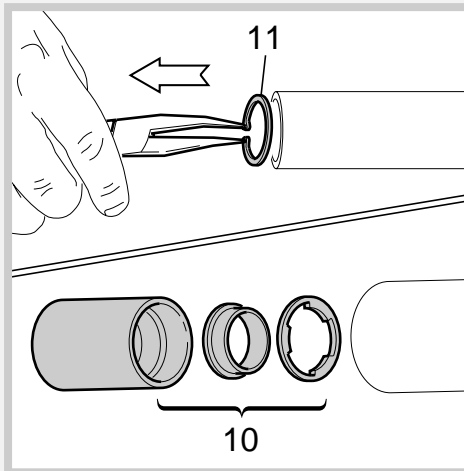
## VALVE ASSEMBLY CHANGE

### FIG. 11

To check that the valve assembly is operating correctly, it is necessary to work on the inside of the stanchion tube.

Slip off the stop ring (11) using pointed pliers.

Pull the valve assembly (10) out of the tube with one finger in the same sequence as in the figure.



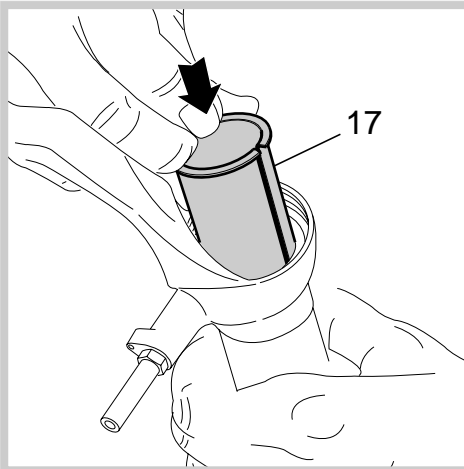
## REASSEMBLY

**CAUTION:** before reassembling, all metal components should be washed carefully with inflammable, preferably biodegradable, solvent and dried with compressed air.

### PILOT BUSHING AND SEAL ASSEMBLY

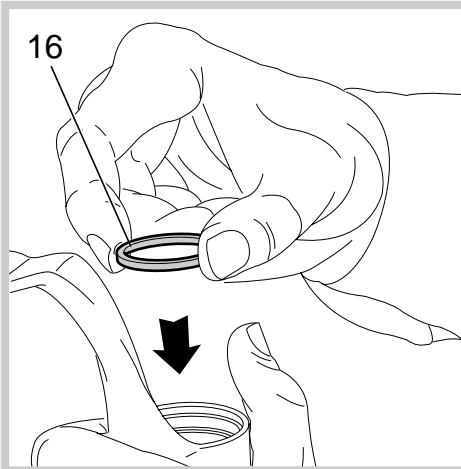
**FIG. 12**

Check that no dirt or debris is between slider and bushing. Insert the pilot bushing (17) into place so that it adheres to the slider.



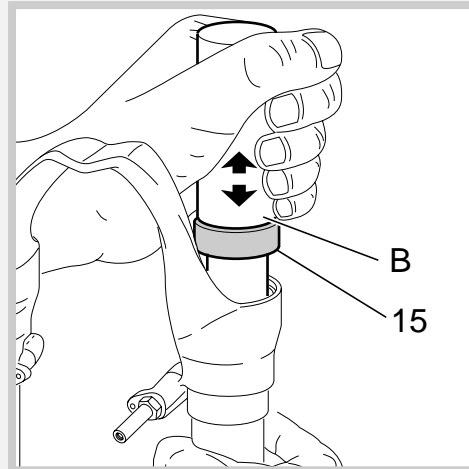
**FIG. 13**

Fit the upper washer (16) into the slider so that it touches the pilot bushing.



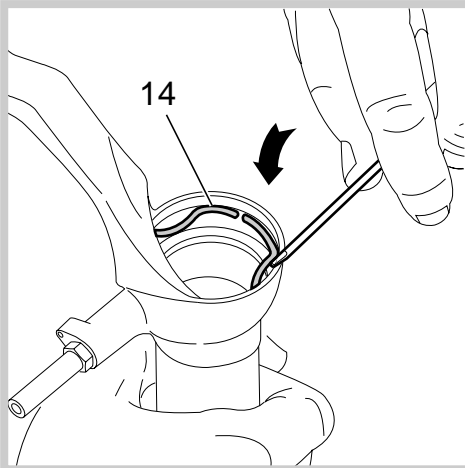
**FIG. 14**

Lubricate the oil seal (15) and place it onto the seal press (B) with the hollow side toward the slider. Press the oil seal until it touches the lower washer by using the above seal press.



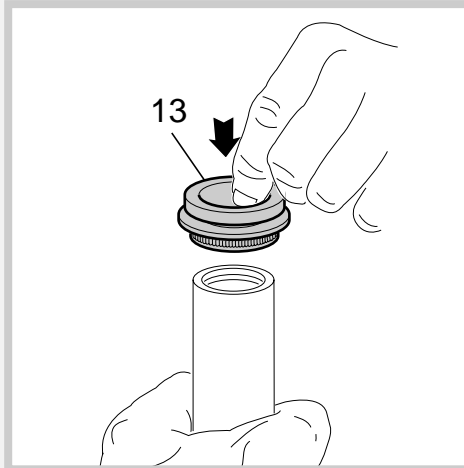
**FIG. 15**

Insert the stop ring (14) into the slider making sure it is properly seated into place.  
Use buffer (B) to properly seat the ring into the slider.



**FIG. 16**

Lubricate the dust seals (13) and fit them into the stanchions from the spring end.

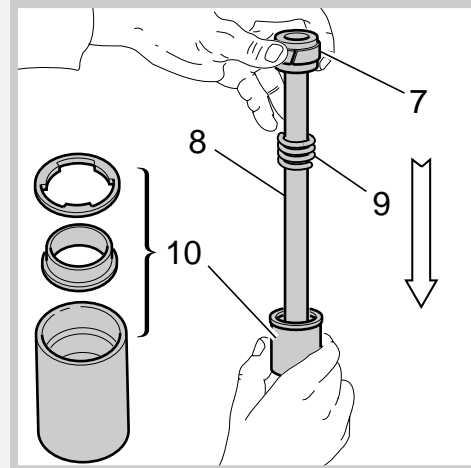


## VALVE AND PUMPING ROD ASSEMBLY

**FIG. 17**

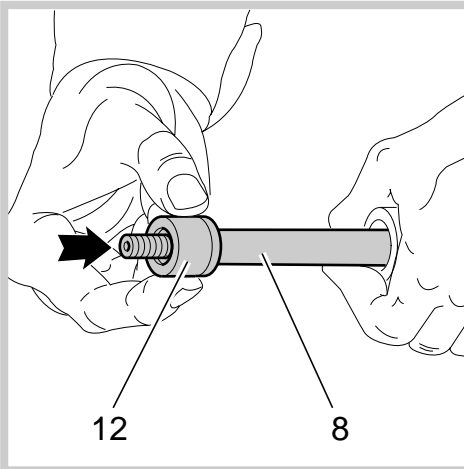
After having overhauled or replaced the valve unit and after having cleaned the inside of the tube, reassemble. Assemble valve components (10), in correct sequence.

Then fit pumping rod (8) with seal ring (7) and rebound spring (9) into the valve assembly (10).



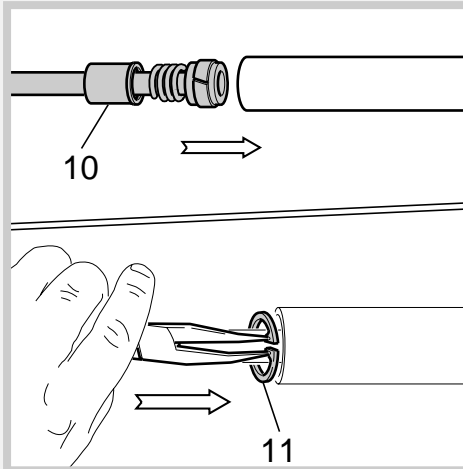
**FIG. 18**

Reassemble the foot buffer (12) onto the end part of pumping rod (8).



**FIG. 19**

Fit this assembly into the stanchion tube and properly seat the valve assembly (10).  
Insert the stop ring (11).



## CROWN AND STANCHIONS ASSEMBLY

**FIG. 20**

Fit the crown and stanchions assembly (1) - with the dust seals in place - gently into the sliders seals.

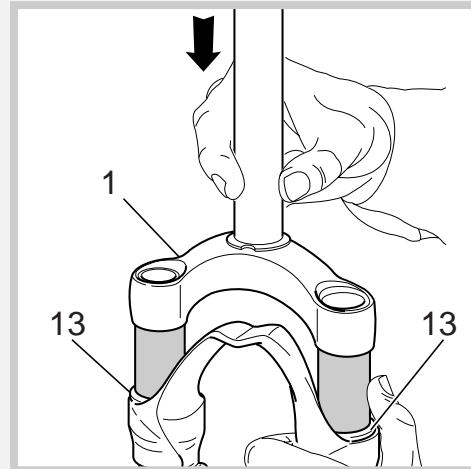
**⚠ WARNING:** to avoid any damages to sealing surfaces, keep the stanchions duly lubricated and squared into the sliders.

Press the crown and stanchions assembly fully down and check that threaded ends of pumping elements (8) are coming out through the bottom of the sliders.

Check to see that the stanchions slide unrestricted by cycling the fork up and down several times.

The tube should slide freely inside the seal assembly without any side play. In the event it is too hard or too soft, repeat the previous steps described above and check components to ensure they are not damaged.

Seat the dust seals (13) on top of the sliders.

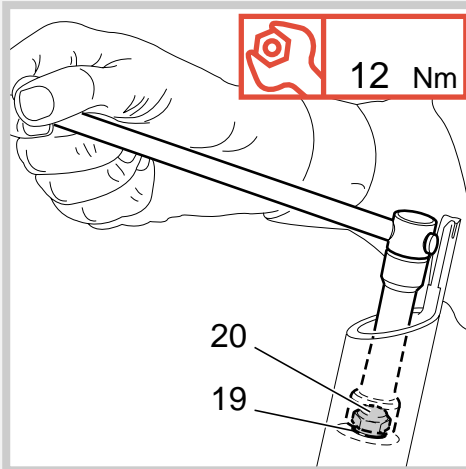


**FIG. 21**

Lubricate O-Rings (19) on the foot nuts (20) and screw them on the pumping rod thread (8).

Tighten to 12 Nm.

Check to verify that the stanchions slide properly through the stroke by pumping them up and down several times.

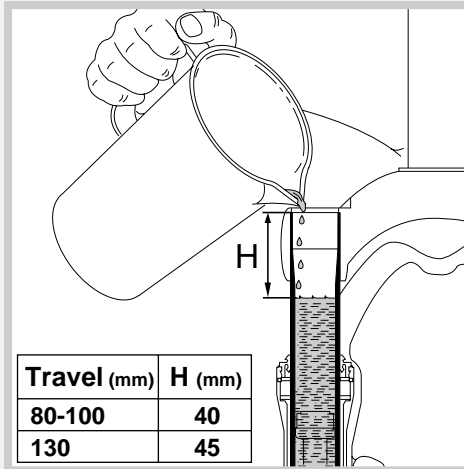


## HOW TO FILL WITH OIL

**FIG. 22**

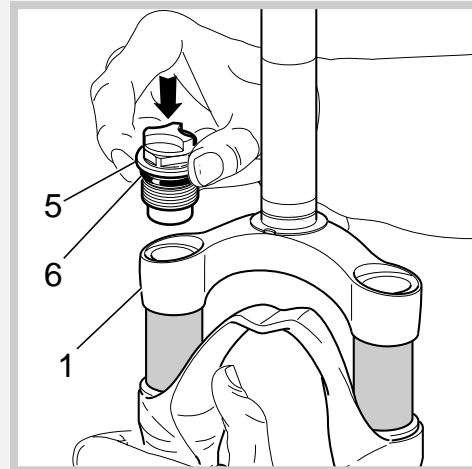
Pour oil little by little when the stanchions are fully down and then pump with the crown so as to have a better filling.

Check that the oil level (H) is as required in both legs.



**FIG. 23**

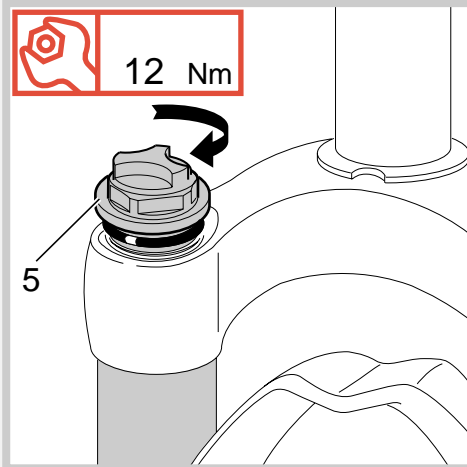
Lubricate the O-ring (6) on the cap (5). Lift the crown (1) and fit start caps (5) onto stanchion threads by hand.





**FIG. 24**

Tighten the caps **(5)** to 12 Nm.  
Pressurize as shown in section ADJUSTING.



## SPECIFIC MARZOCCHI TOOLS

Ref.	Item.	Description and use
A	R 5089 AB	Slider protector: to remove the oil seal from the slider
B	R 5090	Oil seal press: to press oil seal into the slider
C	R 4008/C	Inflating pump

